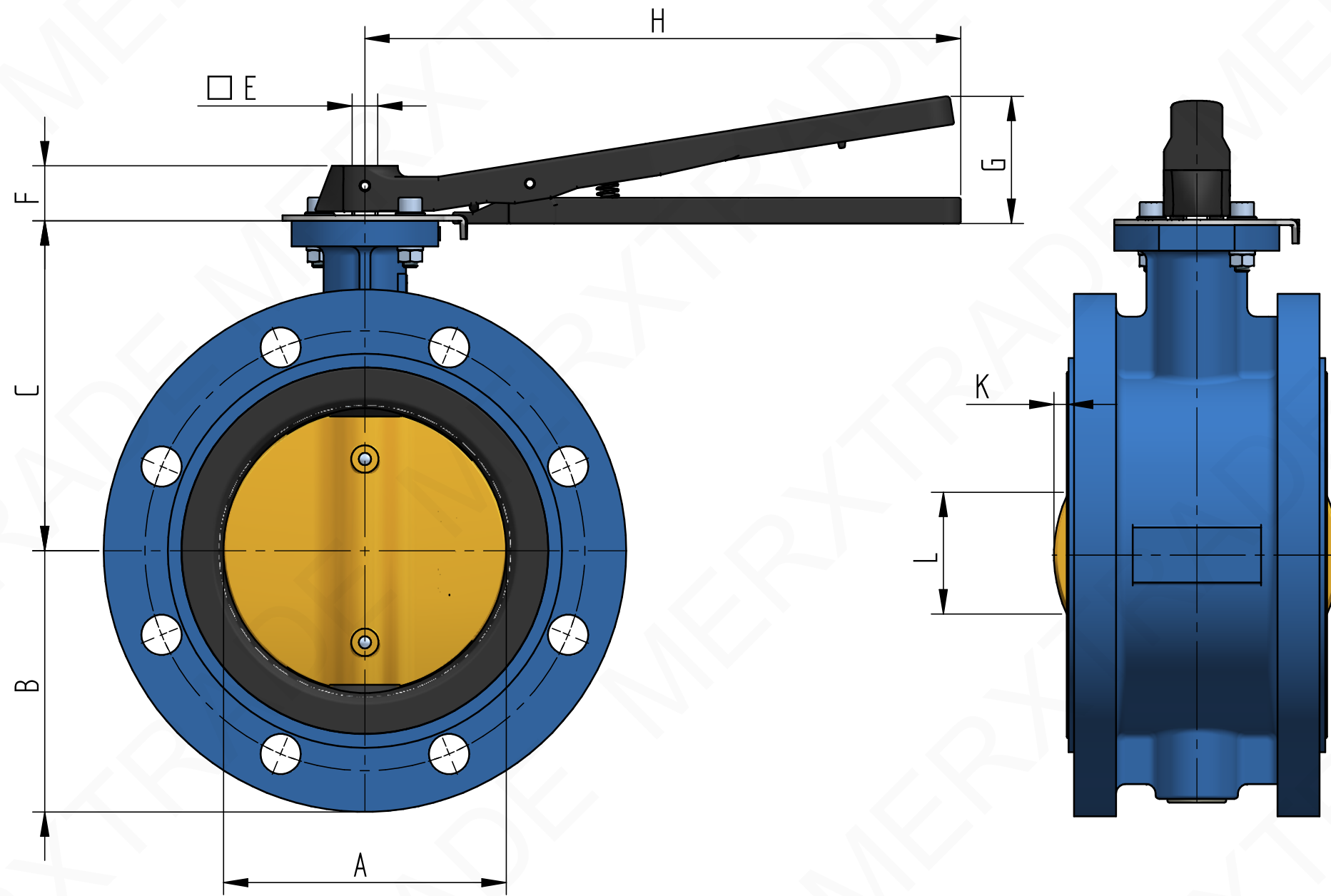


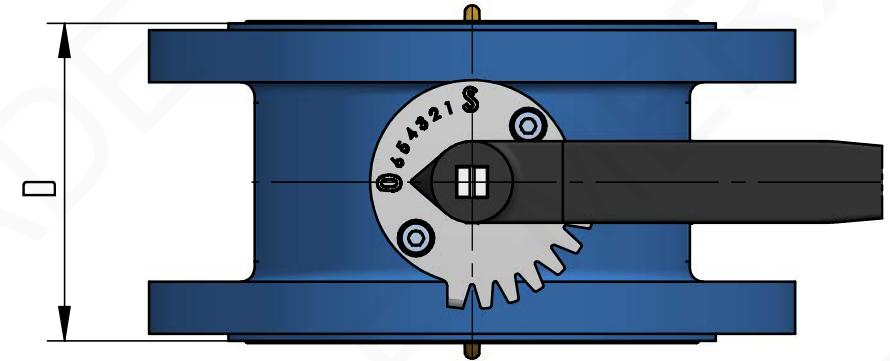
DOUBLE FLANGED TYPE 4621 LEVER ACTUATING





Size DN40 to DN200, Design EN593
Face to face acc. EN558.1 series 13
Flange connections: DIN PN6-10-16-25
ANSI B 16.5 Cl. 150#, JIS B 2211 5K, 10K
Temperature -40/+250°C
Various pressure ratings up to 25 bar
Top flange according ISO 5211
Vacuum to 1*10⁻³ 0.2 Torr absolute

Standard available materials :			
BODY	DISC	SHAFT	SEAT
EN-JS1030	BS 1400 AB2	SS 1.4122	NBR -15°C / +80°C
A216 WCB	EN-JS1030	SS 431	EPDM -30°C / +110°C
SS 1.4408	SS 1.4408	SS 1.4462	Viton -0°C / +200°C
BS 1400 AB2	SD 2507	SD F53	Silicone -20°C / +250°C



Size	A	B	C	D	E	F	G	H	K	L	O	Weight ± Kg
DN 40	41	75	113	106	[] 11	26	56	223	--	--	150	6.3
DN 50	52	.0	118	108	[] 11	26	56	223	--	--	165	8.3
DN 65	63	82.5	126	112	[] 11	26	56	223	--	--	185	9.8
DN 80	78	92.5	133	114	[] 11	26	56	223	--	--	200	11.5
DN 100	103	100.0	147	127	[] 11	26	56	223	--	--	220	14.4
DN 125	125	110.0	160	140	[] 14	28	68	325	--	--	250	20.6
DN 150	155	125.0	180	140	[] 14	28	68	325	8	69	285	24.0
DN 200	201	170	204	152	[] 17	30	68	325	25	134	340	33.7